

BayCon 2022

BayNet Radio Conference

Program

- 9:00 – George KJ6VU **Welcome** and BayNet update
- John VE6EY Modern Diversity Reception
- Kyle AA0Z Kyle AA0Z Intro to Node Red - Build a Dashboard & Control Web Page
- Mark Smith An Appliance For Operating FM Satellites
- Vince VE6LK Go-Kit Building: Design Considerations
- Noon – **Short break**
- Marcel AI6MS Radio Propagation Mapping
- Christian NV2J Radio control keypad for the FT891
- Mike VA3MW LAN replacing RS232
- George KJ6VU BenchDuino Nano - Designing the Arduino Nano Dev Board
- Mathison KJ6DZE San Francisco Wireless Emergency Mesh Network
- 4:30 **Wrap up** and final prizes

BayCon Event Team



Jon KD6JL
Registration
Drawing & Auction



Marcel AI6MS
Registration
Drawing & Auction



Rod VA3ON
Master Control
Overall Organizer



Vince VE6LK
Video Streaming
& Chief Wrangler

BayNet Amateur Radio Club

- >450 members
- 13th Annual Bay-Net meeting
- 7 repeaters at 2 radio sites
 - 4 Conventional FM repeaters
 - D-STAR repeater
 - System Fusion repeater
 - DMR repeater
- 5 Nets per week (Red Cross, 2m SSB, DMR/Fusion, etc)
- 4 Big Events: Field Day, Pacificon, BayCon, Others...
- 1 Served organization: American Red Cross



Board

George Zafiropoulos - KJ6VU

David Witkowski - W6DTW

John Best - KJ6K

Special Project Ninjas

Repeater system - George KJ6VU

Yaesu Fusion Repeater - David KI6ZHD

NPR70 and wired data network - David KI6ZHD

DMR Repeater - George KJ6VU

D-Star system - Rich KC6OBJ

Operating events, Field Day - Jon KD6JL

BayCon Jon KD6JL, Marcel AI6MS



Bay-Net Repeater System

443.975

East Bay

Black Mountain

San Jose, CA

145.390

443.225

927.8625

444.350 DMR

444.075 D-Star

444.425 System Fusion

Internet Linking

DMR

Talk Group 31075

AllStar

Server node 55915

DV Switch

Connects DMR 31075
and AllStar 55915

Fusion

WW6BAY-ROOM

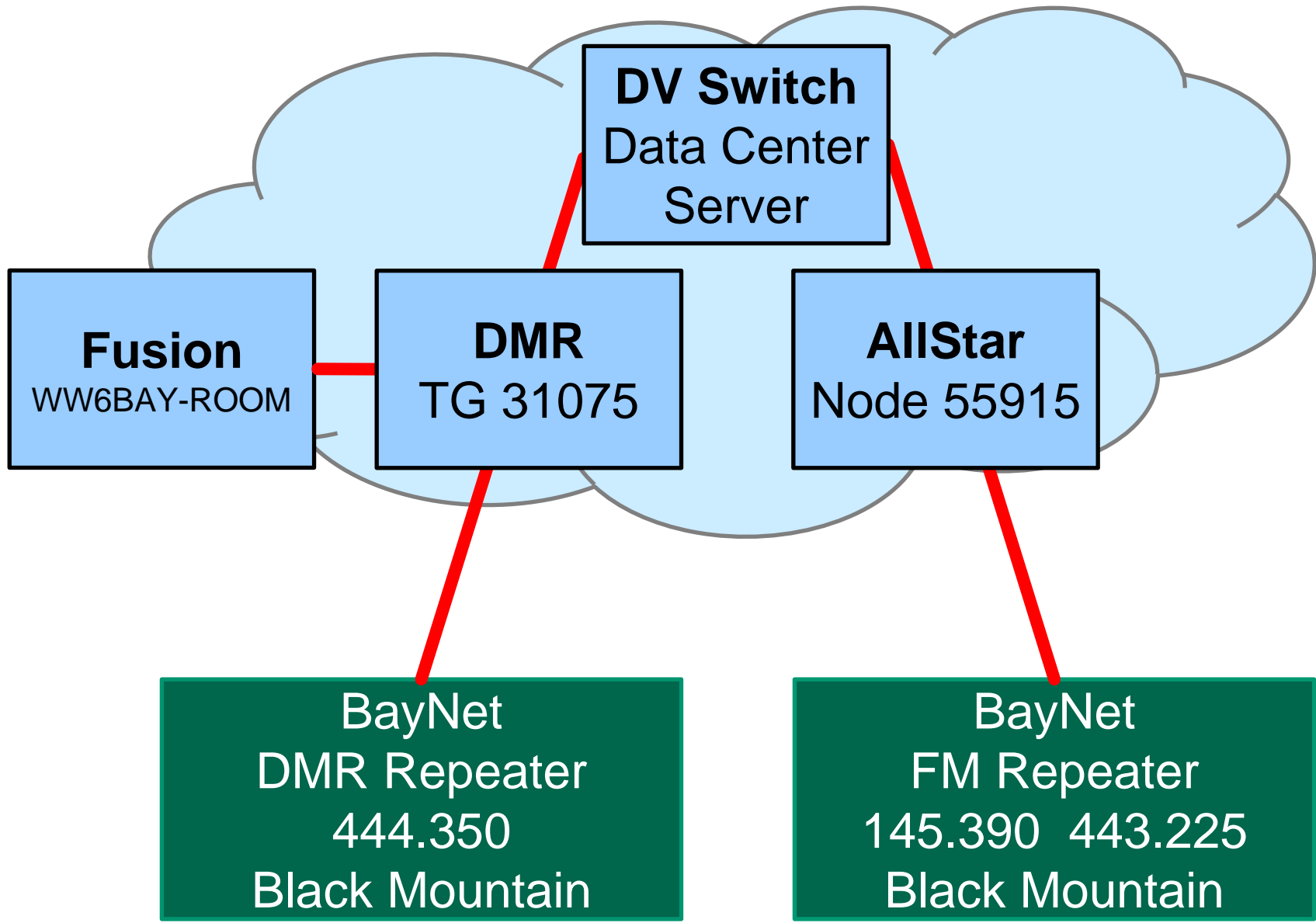
IRLP

Reflector 9096

DMR

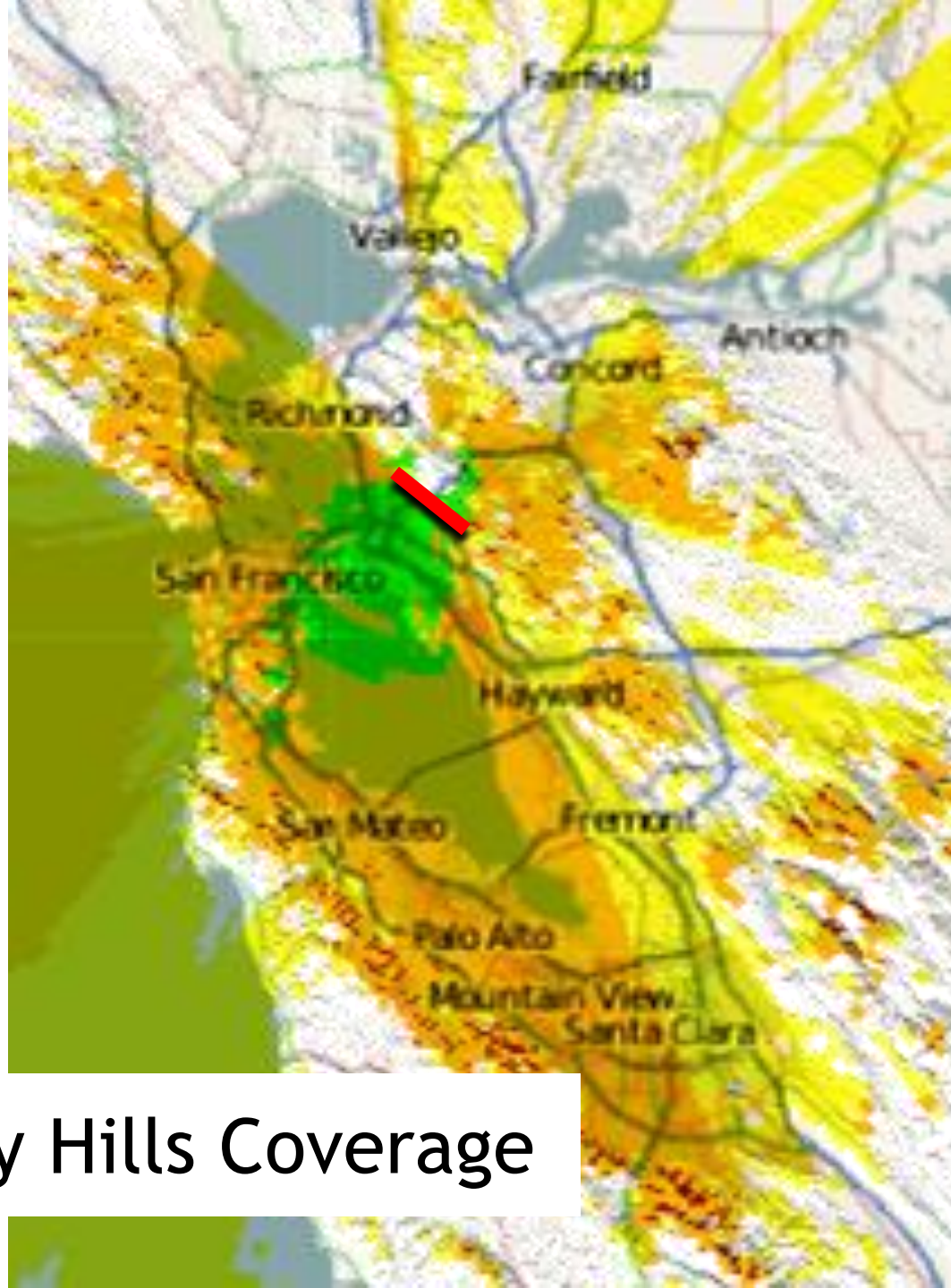
D-STAR

Fusion



Black Mountain Coverage





East Bay Hills Coverage



2022 Budget = \$2,200

- Repeater site rental
- Insurance
- Web site
- Equipment maintenance

- BayNet membership is free
- BayCon is our one and only fund raiser
- 100% of all ticket sales goes to the BayNet

- Please donate
- BayNet is a 501(c)3 organization
- We accept matching funds from your employer



2022 Projects

- Repeater System
 - Bridging DMR TG31075 to AllStar server node 55915
 - Adding AllStar node to the analog system
- Digital Network
 - Replace 3.4 GHz radios and move frequencies
 - Exploring mesh network enhancements
- Power
 - Install new battery backup system
 - Install new battery chargers

Special Thanks To Prize Donors ...



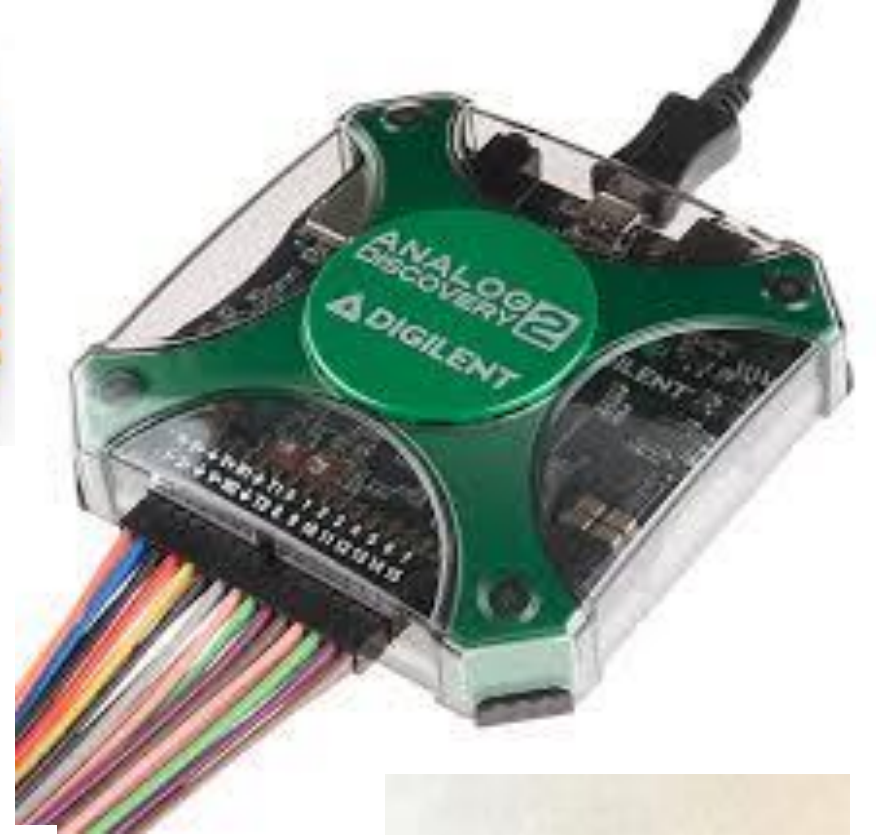
Ham Radio

Workbench

Podcast

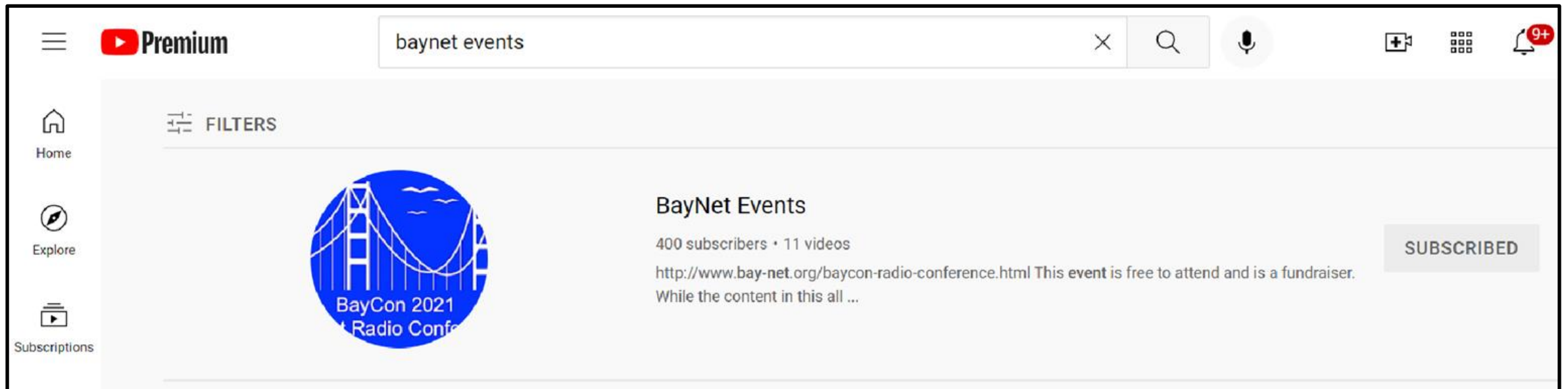
Opportunity Drawing

- Registering gets you 1 ticket
- Additional tickets are \$1
- 25 tickets for \$20
- 150 tickets for \$100
PLUS You get a
HRWB power strip kit



Presentation & Video Content

- Slides will be on www.bay-net.org
- Audio will be on the HamRadio Workbench Podcast
- Videos will be on the BayNet Events channel on YouTube



The screenshot shows a YouTube search result for "baynet events". The search bar at the top contains "baynet events" and the YouTube Premium logo is visible on the left. The search results show a channel named "BayNet Events" with 400 subscribers and 11 videos. The channel's profile picture is a blue circle featuring a white bridge and the text "BayCon 2021 Radio Conference". Below the channel name, there is a link to a website: <http://www.bay-net.org/baycon-radio-conference.html>. The text next to the link says "This event is free to attend and is a fundraiser. While the content in this all ...". A "SUBSCRIBED" button is visible on the right side of the channel card. The left sidebar shows navigation options: Home, Explore, and Subscriptions.

Program

- 9:00 – George KJ6VU Welcome and BayNet update
- **John VE6EY Modern Diversity Reception**
- Kyle AA0Z Kyle AA0Z Intro to Node Red - Build a Dashboard & Control Web Page
- Mark Smith An Appliance For Operating FM Satellites
- Vince VE6LK Go-Kit Building: Design Considerations
- Noon – Short break
- Marcel AI6MS Radio Propagation Mapping
- Christian NV2J Radio control keypad for the FT891
- Mike VA3MW LAN replacing RS232
- George KJ6VU BenchDuino Nano - Designing the Arduino Nano Dev Board
- Mathison KJ6DZE San Francisco Wireless Emergency Mesh Network
- 4:30 Wrap up and final prizes