

DIY 1.3Ghz Wireless TV Camera



Jason Howard

K6DGN

1.3 Ghz Wireless TV Camera Project

- Why Do this?
- Goal
- Parts List
- Work
- Demo

Why Do This?

- Because it's fun
- Because I can
- I thought it would be cool
- TV Studio Cameras have great glass
- TV Studio Cameras are interesting to use
- Learn something new (Using a TV Camera)
- Use stuff I have laying around
- Kinda useful... kinda...

Goal

- To take an old TV Camera and make it totally wireless with acceptable picture quality
- Learn how to use a TV Studio Camera
- Possibly do something no one has ever done before

Parts List

- TV Camera: DXC-3000
- 1.3Ghz Wireless System
- 1.3Ghz Circular Polarized Antennas
- 40mm Fan
- Wire
- LiPO Battery
- 60W Back/Boost Converter

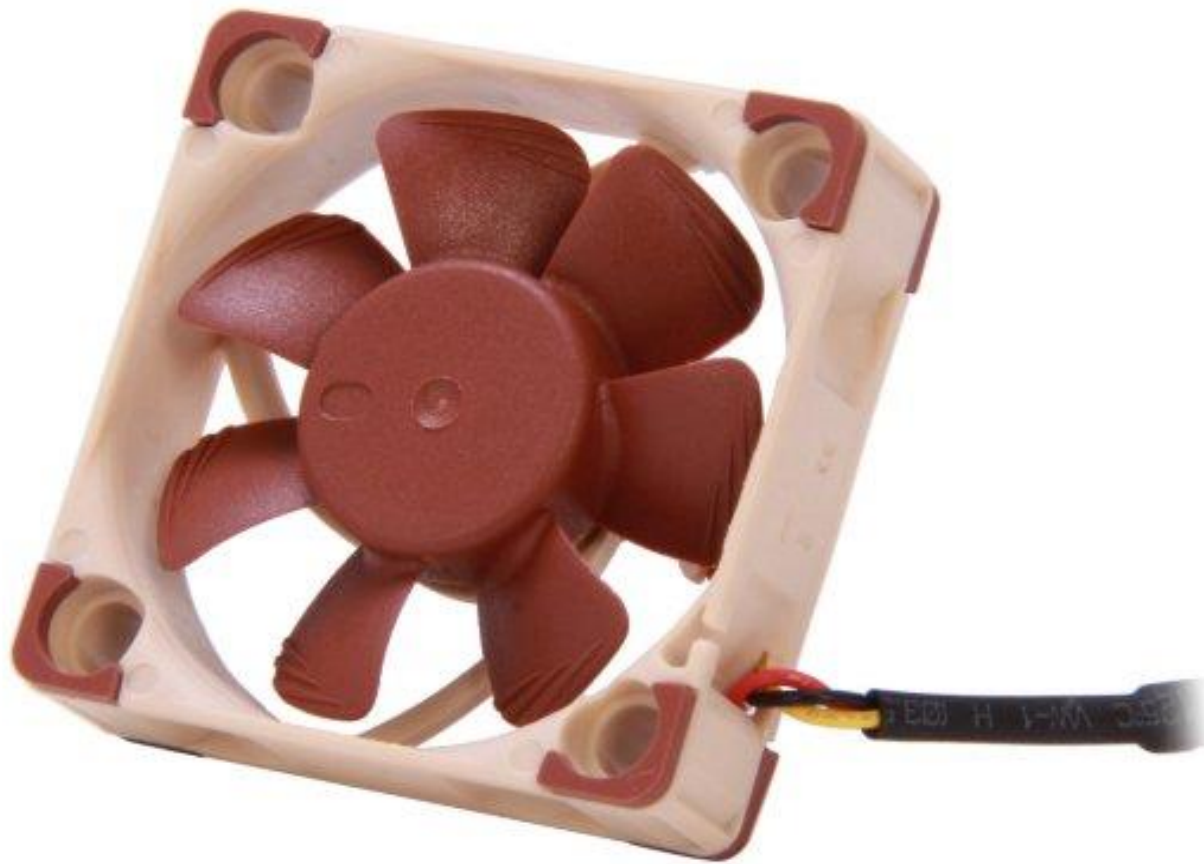
Receiver & Transmitter



1.3 Ghz Circular Polarized Antennas



40mm fan



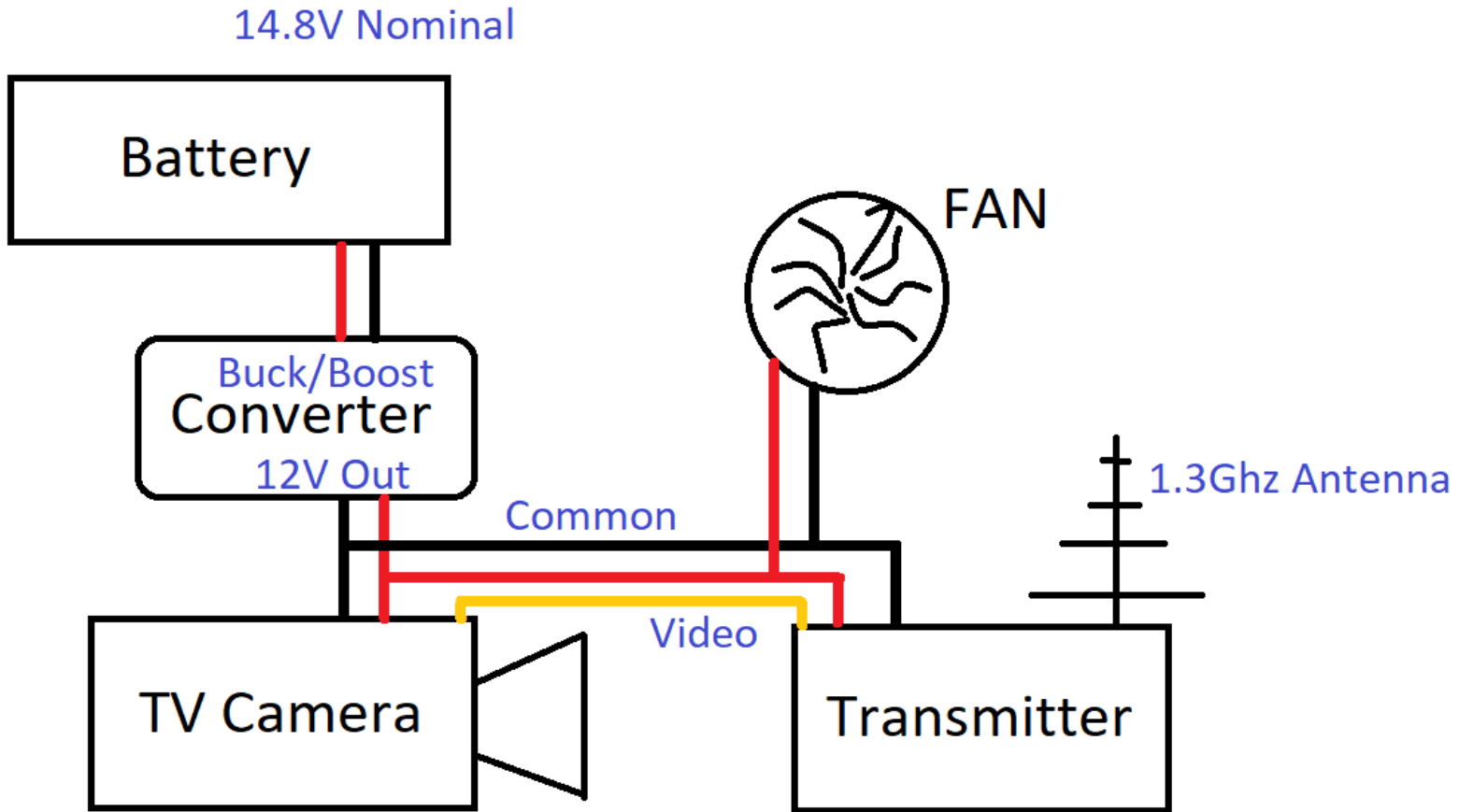
4 Cell LiPO Battery

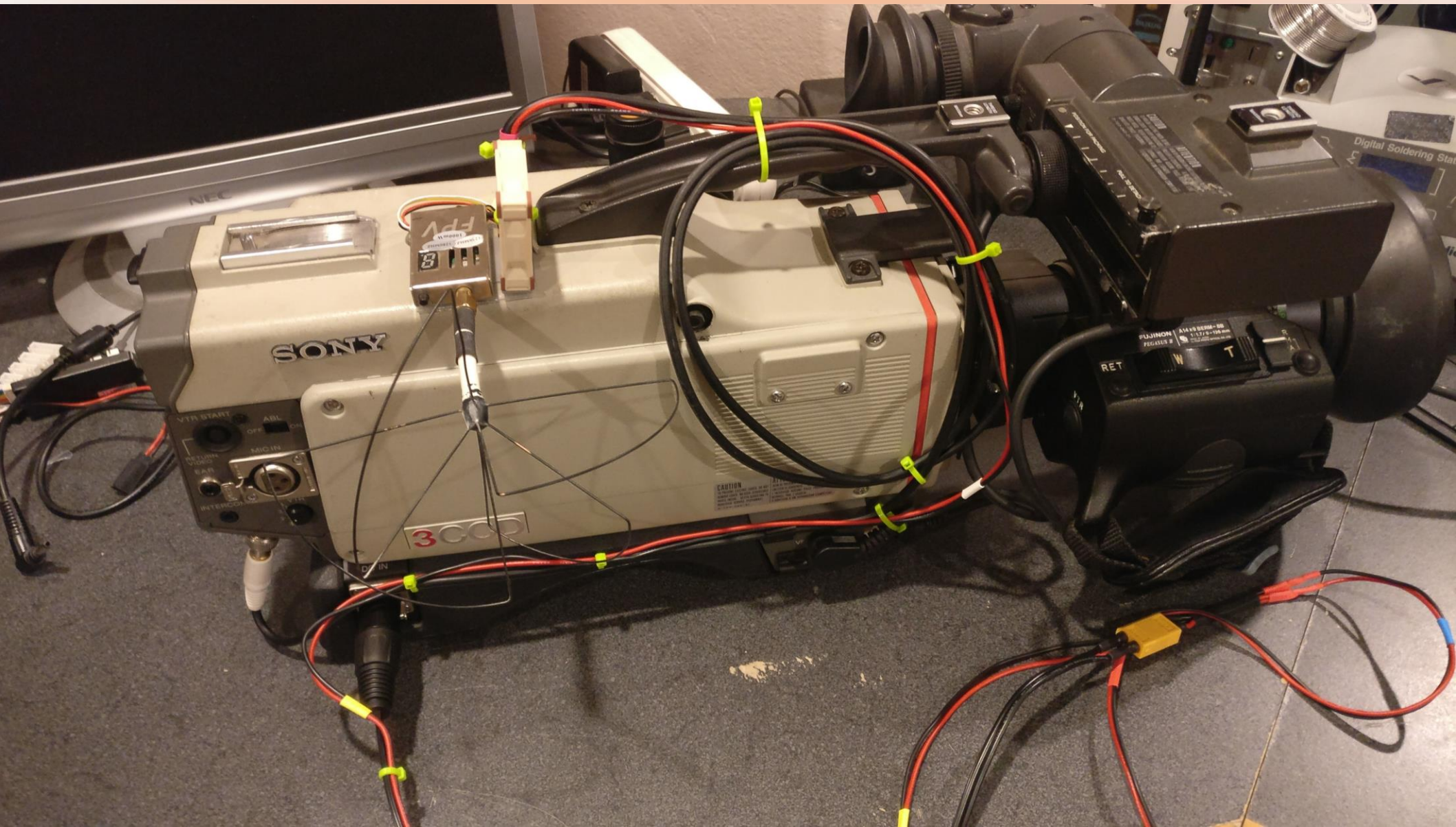


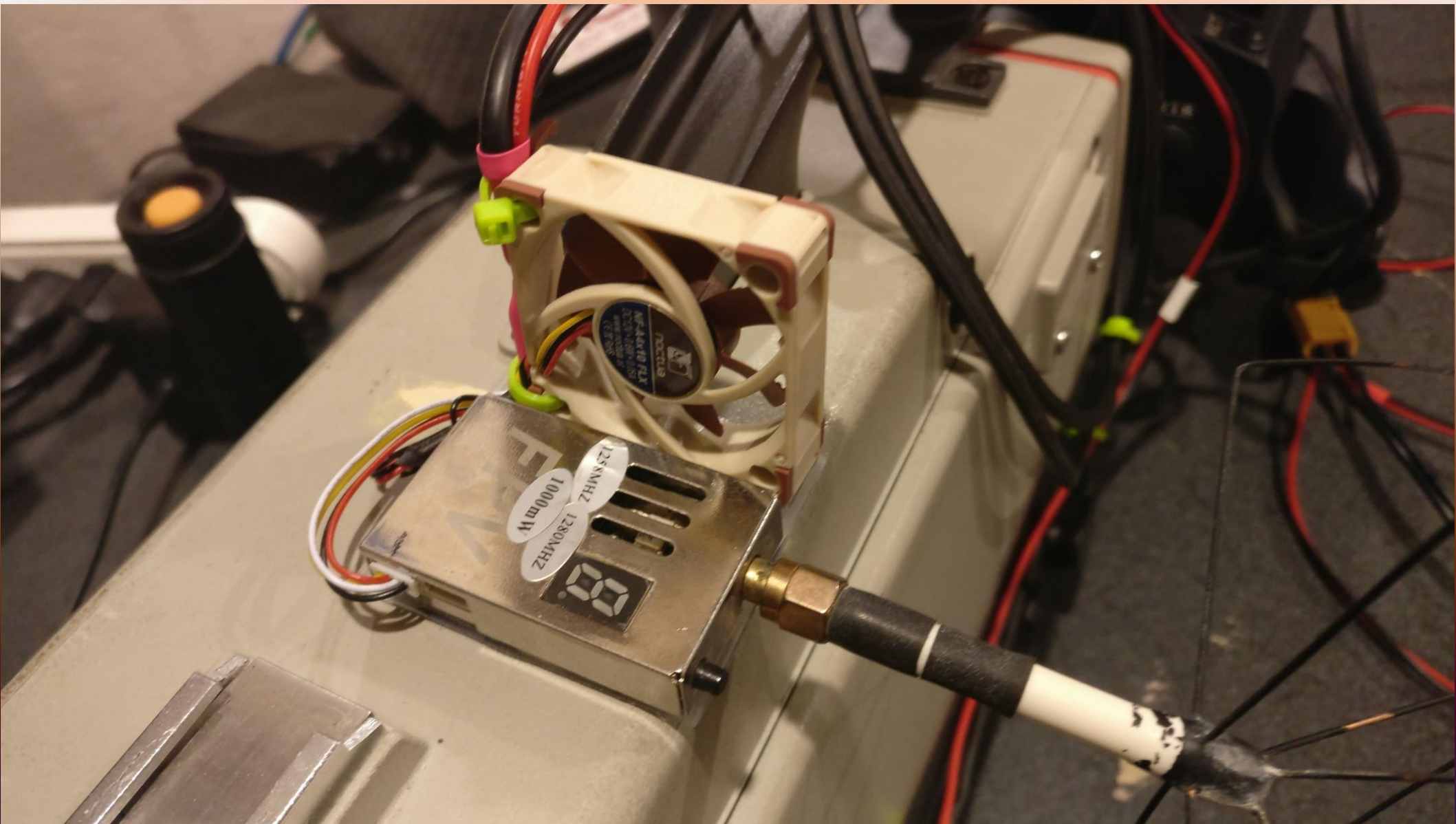
Buck Boost Converter (60W)



Work - Diagram











ReadyMadeRC
www.readymaderc.com

Audio/Video Receiver

CH	Fr. (MHz)	CH	Fr. (MHz)
0	910	H	1320
1	960	C	1360
2	1010	d	1268
3	1040	E	1100
4	1080	F	1140

12VDC

Video Out

Audio Out



ReadyMadeRC

www.readymaderc.com

Audio/Video Receiver

CH	Fre.(MHz)	CH	Fre.(MHz)	CH	Fre.(MHz)
0	910	5	1120	H	1320
1	980	6	1160	C	1360
2	1010	7	1200	d	1258
3	1040	8	1240	E	1100
4	1080	9	1280	F	1140



12VDC

Video Out

Audio Out

DEMO